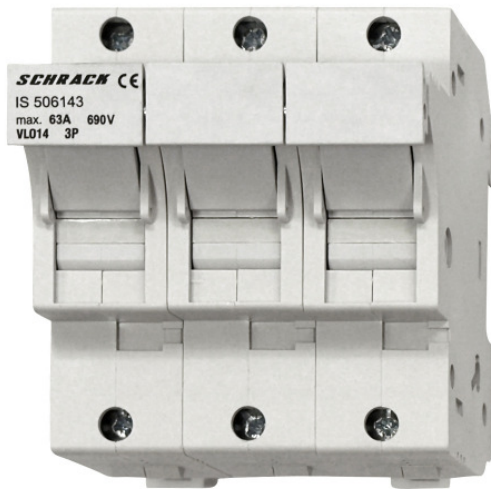


■ Datasheet: Fuse loadbreaker-disconnector 14 x 51 mm




■ SCHRACK-INFO

- All contact surfaces are silver plated
- Changing of a fuse-link without danger of direct touch of parts under voltage
- More space for finger to open fuse carrier
- Complete protection against touch according to IP20
- Possibility of sealing in ON or OFF positions

■ Technical datas

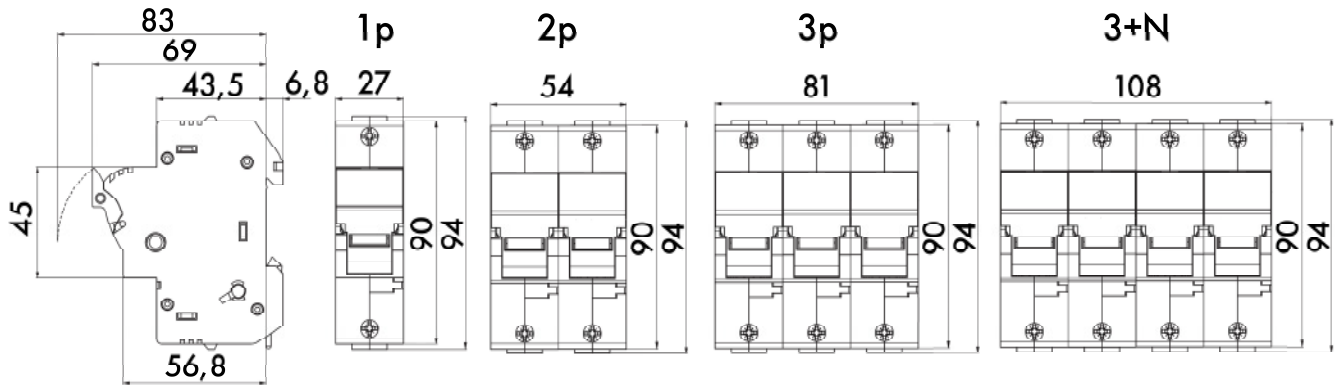
Fuse type:	14 x 51
Standards - fuse links:	IEC 60269-2
Standards - fuse disconnectors:	IEC 60947-1
Standards - fuse holder:	IEC 60947-3
Number of poles:	1-pole, 2-pole, 3-pole, 3+N
Rated operational voltage U_e :	690 V-AC
Rated operational current I_e :	50A
Maximum rated current of fuselinks:	400 V-AC: 50A gG, 50A aM
	500 V-AC: 50A gG
	690 V-AC: 25A gG, 25A aM
Rated frequency:	50 Hz

Rated short-time withstand current I_{cw} :	600A/1s
Rated conditional short-circuit-current:	gG: 120 kA/ 500V (50A gG)
	aM: 50 kA/ 400V (50A aM)
Rated insulation voltage U_i :	690 V
Rated imp. withstand voltage U_{imp} :	8 kV
Overvoltage category (according to Table H.1 in IEC 60947-1 and according to IEC 60099-1):	III
Max power dissipation of the fuse-link (W):	gG: 5 W
	aM: 3 W
LED Indicator operating range:	50-690 V-AC
Utilization category:	AC-22B at 690 V/ 50 A
Operational performance (cycles with current):	300
Operational performance (cycles without current):	1700
Humidity:	90% at 20°C
Operating ambient temperature:	-5°C up to +40°C
Store ambient temperature:	-25°C up to +55°C
Degree of protection (IEC 60529):	IP20
Terminal capacity:	1-35 mm ²
	rigid or flexible
Torque:	2,5-3 Nm
Mounting on EN 60715 rail:	35mm rail
Sealing possibility:	ON and OFF

 Wiring diagram



▀ Dimensions



▀ Articles

DESCRIPTION	ORDER NO.
1 pole, 14 x 51, 50A gG	IS506141
2 pole, 14 x 51, 50A gG	IS506142
3 pole, 14 x 51, 50A gG	IS506143
3 pole+N, 14 x 51, 50A gG	IS506145
3 pole, 14 x 51, 50A gG, with LED	IS506149